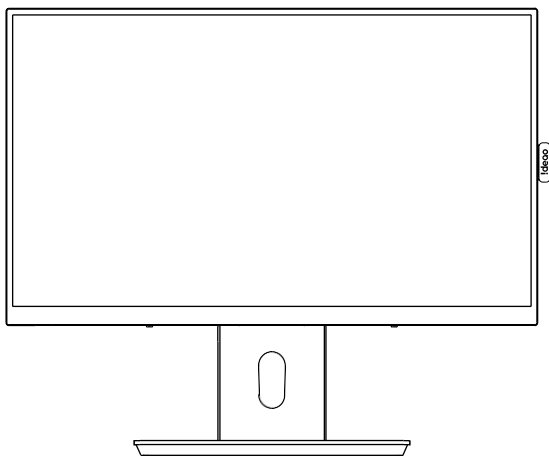


# **!deao** hub

**Interaktywny Ekran Dotykowy**



**Szybki Start**

## Important Safety, Compliance and Warranty Information

\*Read Manual Before Product Use\*



### POWER SUPPLY WARNING!

The power supply is for indoor use only. Only use the power supply included with your product. Do not attempt to repair or use a damaged power supply. Do not immerse the power supply in water or subject it to physical abuse. Inspect the power supply regularly for cable, plug, and casing damage.

### BATTERY WARNING!

Improperly replaced batteries may present a risk of leak or explosion and personal injury. Mistreated rechargeable batteries may present a risk of fire or chemical burn. Do not disassemble or expose to conducting materials, moisture, liquid, or heat above 54° C (130° F). Do not use or charge the battery if it appears to be leaking, discolored, deformed, or in any way abnormal. Do not leave your battery discharged or unused for extended periods. Do not short circuit. Your device may contain an internal, rechargeable battery that is not replaceable. Battery life varies with usage. Non-operational batteries should be discarded according to local laws. If no laws or regulations govern, dispose of your device in a waste bin for electronics. Keep batteries away from children.

### Safe Usage Guidelines for Products

- Do not open or modify the product except for battery removal and replacement.
- Do not disassemble or attempt to service this product.
- This product is safe under normal and reasonably foreseeable misuse operating conditions.
- If product is operating improperly, contact the authorized reseller.
- Product must be returned to the authorized reseller for any service or repair.
- This is not a Children's Product and is not intended for use by children under 14 years old.



Odwiedź naszą stronę jeżeli chcesz uzyskać dodatkowe informacje na temat naszych produktów <https://agraf-it.pl/>

## FunTech Innovation Compliance.

For Product Safety, EMC, RF and Energy information, go to [www.funtechinnovation.com/compliance](http://www.funtechinnovation.com/compliance) Maintenance is not required for product compliance.

This product complies with relevant legal requirements for Restriction of Hazardous Substances (RoHS) and management of waste electronic and electrical equipment (WEEE). For RoHS and WEEE information, go to [www.funtechinnovation.com/compliance](http://www.funtechinnovation.com/compliance)



Batteries, electronic and electrical equipment should not be disposed of with household waste. Wherever possible, they should be segregated and brought to an appropriate collection point to enable recycling and avoid potential impacts on the environment and human health. For more information, contact your local authorities or place of purchase.

## FCC Statement

This device complies with Part 15 of the FCC Rules. Operation is subject to the following two conditions: 1) this device may not cause harmful interference, and 2) this device must accept any interference received, including interference that may cause undesired operation. This equipment has been tested and found to comply with the limits for a Class B digital device, pursuant to part 15 of the FCC Rules. These limits are designed to provide reasonable protection against harmful interference in a residential installation. This equipment generates, uses and can radiate radio frequency energy. And, if not installed and used in accordance with the instructions, may cause harmful interference to radio communications. However, there is no guarantee that interference will not occur in a particular installation. If this equipment does cause harmful interference to radio or television reception, which can be determined by turning the equipment off and on, the user is encouraged to try to correct the interference by one or more of the following measures:

- Reorient or relocate the receiving antenna.
- Increase the separation between the equipment and receiver.
- Connect the equipment into an outlet on a circuit different from that to which the receiver is connected.
- Consult the dealer or an experienced radio/TV technician for help.

Warning: Where shielded interface cables or accessories have been provided with the product or specified additional components or accessories elsewhere defined to be used with the installation of the product, they must be used in order to ensure compliance with FCC. Changes or modifications to product not expressly approved by Fun Technology Innovation Inc, could void your right to use or operate your product by the FCC.

## IC statement:

### CAN ICES003 (B) / NMB003 Class (B)

This device complies with Industry Canada license exempt RSS standard(s) Operation is subject to the following two conditions:

(1) this device may not cause interference, and (2) this device must accept any interference, including interference that may cause undesired operation of the device. Cordless (Radio Transmitter) products: Section A. RSS310 (27 MHz transmitters and receivers): This Category II radio communication device complies with Industry Canada Standard RSS310. Section B. RSS210 (2.4 GHz transmitters or transceivers): This Category I radio communication device complies with RSS210 of Industry Canada.

## FunTech Innovation's Limited Hardware Product Warranty - A Summary

FunTech Innovation warrants that its hardware product shall be free from defects in materials and workmanship for the length of time identified on your product package beginning from the date of original retail purchase. See for specific warranty information about your product and procedures to act on a warranty claim.

FunTech Innovation's entire liability and your exclusive remedy for any breach of warranty shall be, at FunTech Innovation's option, to repair or replace a functional equivalent of the product, or to refund the price paid, if the hardware is returned to the point of purchase or such other place as FunTech Innovation may direct along with a receipt. Warranty protections are in addition to rights provided under local consumer laws and may vary among countries. See the full warranty information to know your consumer rights and the additional protections provided by this product warranty.

## VCCI-B

この装置は、クラスB 情報技術装置です。この装置は、家庭環境で使用することを目的としていますが、この装置がラジオやテレビジョン受信機に近接して使用されると、受信障害を引き起こすことがあります。取扱説明書に従って正しい取り扱いをしてください。









**Precaution**









Do not use/store the product in the following

- Near heat sources
- Near steam or greasy smoke
- Location with high humidity
- Sandy or dusty places

## Safety Instruction

For your safety, please read the following instruction before you use the product. Serious injury or property damage may be caused by improper operations. Do not try to repair the product on your own.

 <b>WARNING</b>	
	<p>Disconnect the product from power supply immediately if major failures occur. Major failures include the following:</p> <ul style="list-style-type: none"> <li>• Smoke, peculiar smell or abnormal sound is discharged from the product.</li> <li>• No image or sound is displayed, or the image error occurs.</li> </ul> <p>In the preceding scenarios, do not continue to use the product. Disconnect power supply immediately and contact professional staff for troubleshooting.</p>
	<p>Do not drop liquid, metal or anything combustible into the product.</p> <ul style="list-style-type: none"> <li>• If any liquid or metal is dropped into the product, power off the product and disconnect power supply, then contact professional staff for solutions.</li> <li>• Pay attention to children when they are close to the product.</li> </ul> <p>Put the product on a stable surface. An unstable surface includes and does not limited to an inclined plane, a shaky stand, desk or platform, which might cause turnover and damage.</p>
	<p>Do not open the cover or change the product on your own. High voltage components are installed in the product. When you open the cover, high voltage, electric shock, or other dangerous situations may occur. If inspection, adjustment, or maintenance is required, contact the local distributor for help.</p>
	<p>Use the specified power supply.</p> <ul style="list-style-type: none"> <li>• To prevent the product from being damaged, do not use any types of power cables other than the one provided with the product.</li> <li>• Use a three-wire socket and ensure that it is properly grounded.</li> <li>• Pull out the power plug from the socket if the product is not used for a long period.</li> </ul> <p>Clean the dust and metal on the power plug regularly.</p> <ul style="list-style-type: none"> <li>• Fire or electric shock may be caused if the product is powered on, when you are cleaning.</li> <li>• Pull out the power plug before cleaning it with a dried cloth.</li> </ul> <p>Power output port is 5V/1A for USB Type-A 3.0 port, 5V/0.5A for USB Type-A 2.0, 5V/3A, 9V/3A, 12V/3A, 15V/3A, 20V/3.25A for USB Type-C.</p>
	<p>Do not put items on the top of the product.</p> <ul style="list-style-type: none"> <li>• Do not put items, such as a container for liquid (a vase, flowerpot, cosmetics or liquid medicine) on the top of the product.</li> <li>• If any water or liquid is spilled on the product, a short circuit may occur and cause fire or electric shock.</li> <li>• Do not walk on the product.</li> </ul>

 <b>WARNING</b>	
	<p>Do not install the product in an improper place.</p> <ul style="list-style-type: none"> <li>• Do not install the product in humid places, such as the bathroom, the shower room, near windows, or outdoor environments that experience rain, snow or other harsh weather. Avoid installation near hot spring vapor. The preceding environments may cause faults in the product or electric shock under extreme conditions.</li> <li>• Do not put exposed fire source, such as an ignited candle, on the product.</li> </ul>
	<p>Pull out the power plug during thunderstorms.</p> <ul style="list-style-type: none"> <li>• Do not touch the product during a lightning storm to avoid electric shock.</li> <li>• Install or place components that supply high enough voltage to cause personal injury out of the reach of children.</li> </ul>
	<p>Do not touch the power cable with wet hands.</p>
	<p>Do not install the product in high temperature environments.</p> <ul style="list-style-type: none"> <li>• Do not install the product near a heat source, such as a radiator, a heat reservoir, a stove or other heating products.</li> <li>• Do not expose the product to direct sunlight, which may cause high temperatures and subsequent faults in the product.</li> </ul>
	<p>For transport.</p> <ul style="list-style-type: none"> <li>• Pack the product for transport or maintenance by using the cartons and cushioning material provided with the product.</li> <li>• Vertically move the product during transport. The screen or other components are easily broken if the product is moved by an improper way.</li> <li>• Before you move the product, disconnect all external connections and separate all toppling preventing products. Move the product carefully to prevent it from being hit or squeezed, especially the screen, which may cause injury if broken.</li> </ul>
	<p>Do not cover or block up any vents on the product.</p> <ul style="list-style-type: none"> <li>• Any overheated components may cause fire, damage the product, and shorten the service life.</li> <li>• Do not lay the product down where the venting surface will be covered.</li> <li>• Do not install the product on a carpet or cloth.</li> <li>• Do not use a cloth such as table cloth to cover the product.</li> </ul>
	<p>Keep away from the product when you use a radio.</p> <p>The product complies with the international EMI standard to prevent radio interference. However, interference may still exist and causes noise in the radio. If noise occurs in the radio, try the following solutions.</p> <ul style="list-style-type: none"> <li>• Adjust the direction of the radio antenna to avoid the interference from the product.</li> <li>• Keep the radio away from the product.</li> </ul>

## WARNING

Glass lens is broken or falls off.

- In case of glass lens breakage, keep all personnel away from the hub to ensure safety.

- Do not perform any installation or disassembly when the glass lens is broken or falls off.

Use the battery correctly.

- Galvanic corrosion, electric leakage, and even fire may be caused by improper battery usage.
- It is recommended to use the designated type of battery and install the battery by correct electrodes (positive and negative).
- Do not install and use new battery with a used one.
- Do not expose the battery to overheated environments such as sunlight and firing.
- Dispose of the used battery based on your local regulations.

Do not damage the power cable.

- Do not damage, change, twist, bend, or forcibly drag the power cable.
- Do not put weights (such as the product itself) on the power cable.
- Do not forcibly drag the cable when you pull out the power plug. If the power cable is damaged, please contact the local distributor to repair or replace it.
- The power cable in the accessory box is for this product only. Do not use it on other products.

Additional advice:

- Use the product in an environment with comfortable lighting. It is harmful to your eyes to watch in a too bright or too dark environment.
- Relax your eyes after a period of time for watching.
- Keep sufficient distance from the product to protect your eyes and prevent eyestrain.
- Adjust the volume to an appropriate level, especially at night.
- Use amplifier equipment as the audio input source with caution. If you must use amplifier equipment, the input power should not exceed the maximum of speaker power. Otherwise, the speaker can become overpowered and damaged.

About USB ports.

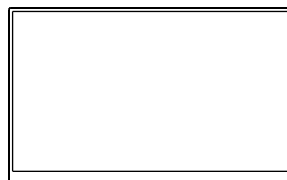
A side USB 3.0 port and rear USB 2.0 ports switch connections based on signal sources. (USB Type C or other signal connection + USB Type B). Please do not change signal sources while the signal source is reading the data from the external source connected to the Hub's USB port. Otherwise, the data or the external memory may get damaged.



**Ideao Hub** to wszechstronny 24-calowy, dotykowy ekran QHD, który zrewolucjonizuje sposób w jaki pracujesz. Za pomocą jednego kabla możesz zamienić swój komputer w duży ekran dotykowy. Korzystaj z Windows Ink oraz 10 portów I/O aby uzyskać najplenniejsze doświadczenia dzięki Ideao Hub.

Uwolnij swoja kreatywność!

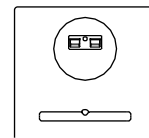
## Zawartość opakowania



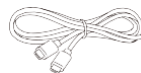
Monitor



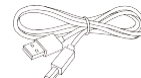
Szyja podstawy



Baza podstawy



Kabel USB  
(USB-C do USB-C)



Kabel USB  
(USB 3.0 A do B)



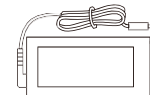
Śruby x4  
Śrubokręt x1

**Ideao**

Etui na pisak



Kable zasilające



Adapter AC/DC

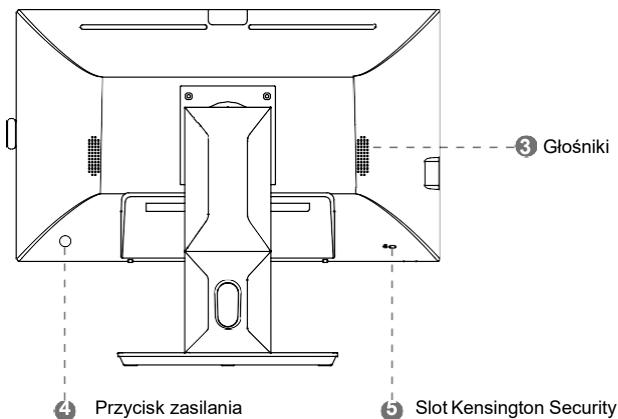
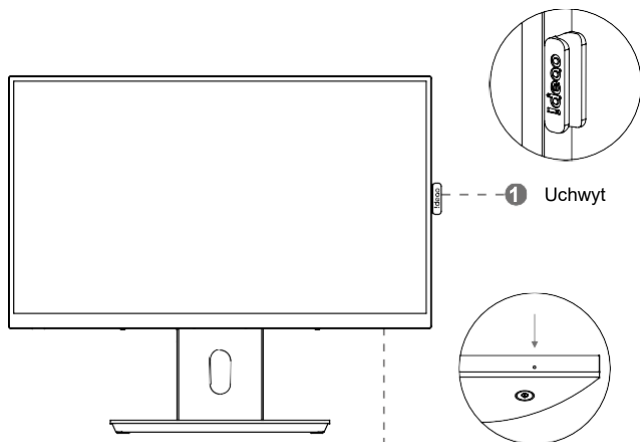


Szybki start

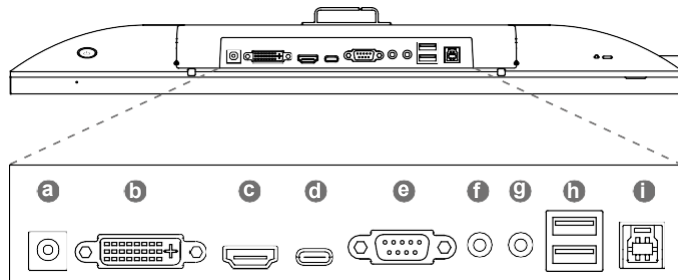
For any product /warranty related question please visit

[www.funtechnovation.com/support](http://www.funtechnovation.com/support)

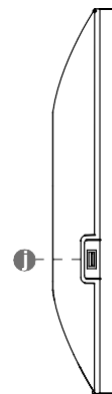
# Opis



## 6 Porty I/O



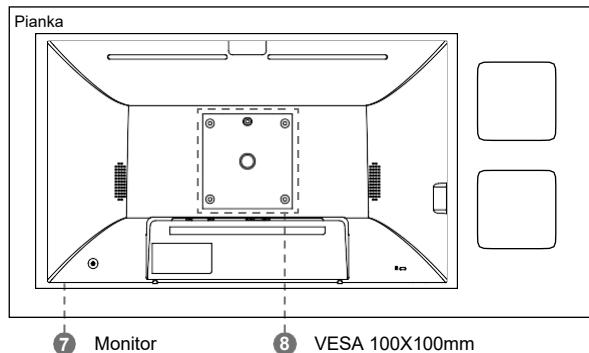
<b>a</b>	DC IN	Wejście zasilania
<b>b</b>	DVI-D	Wejście obrazu DVI-D
<b>c</b>	HDMI	Wejście audio wideo HDMI.
<b>d</b>	USB-C	Podłącz się do źródła kablem USB-C aby przestać audio, wideo, dotyk oraz zasilanie.
<b>e</b>	VGA (D-SUB)	Wejście obrazu VGA
<b>f</b>	AUDIO IN	Wejście audio VGA.
<b>g</b>	AUDIO OUT	Podłącz urządzenie audio takie jak słuchawki.
<b>h</b>	USB-A 2.0	Podłącz urządzenie USB takie jak myszka, klawiatura czy pamięć USB.
<b>i</b>	USB-B	Podłącz się do komputera aby korzystać z dotyku.
<b>j</b>	USB-A 3.0	Podłącz urządzenie USB takie jak myszka, klawiatura czy pamięć USB.



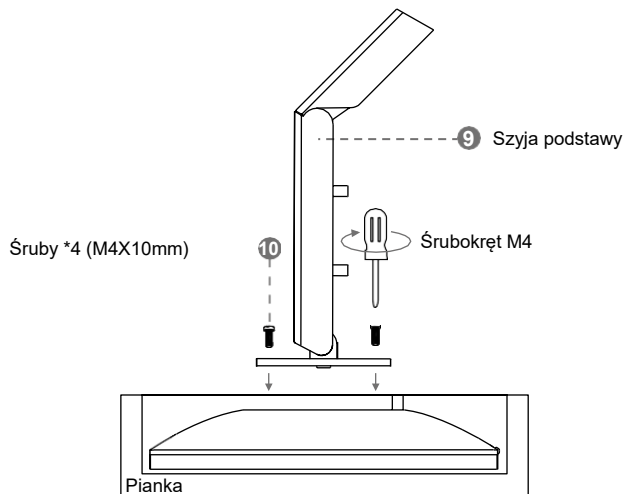
# Instalacja podstawy

1.

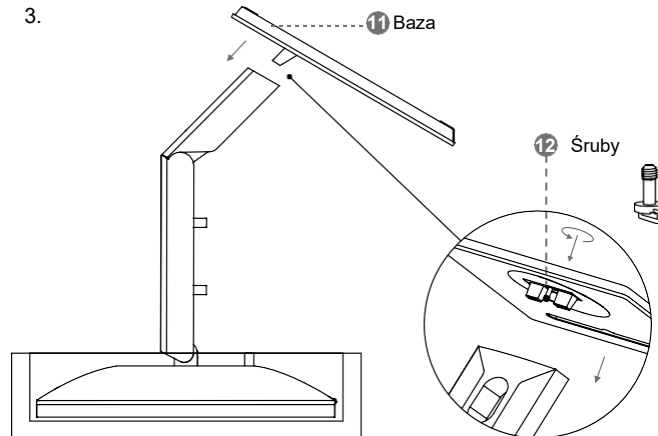
⚠ Umieść monitor na piance aby uniknąć uszkodzeń



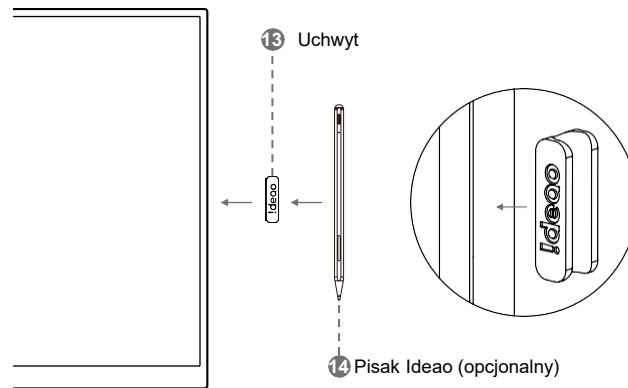
2.



3.




4.



## Podłączanie Ideao Hub

Podłącz zasilacz do gniazdka elektrycznego, a złącze zasilania z boku urządzenia. Upewnij się, że moc mieści się w zakresie od 100 V do 240 V z częstotliwością na poziomie 50Hz/60Hz  $\pm$  5%.

 Zasilanie powinno być uziemione.  
Nie zdejmuj bolca uziemiającego / styku uziemienia.

W przypadku wersji japońskiej w pudełku znajduje się tylko przewód zasilania typu B. Ten przewód zasilający obsługuje napięcie do 100 V i może być używany tylko w Japonii. Dla innych krajów skorzystaj z odpowiedniego łączka zasilania.



Uziemienie  
Typ F



Uziemienie  
Typ G



Uziemienie  
Typ B



Uziemienie  
Typ I



Uziemienie  
Typ M



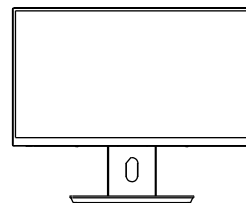
Uziemienie  
Typ O

## Połączenie z PC lub laptopem

Podłącz komputer PC lub laptop do Ideao Hub za pomocą USB Type-C, HDMI/DVI lub VGA. Podłączanie portów może się różnić w zależności od produktu.

### Podłączanie urządzeń za pomocą USB-C

(1) Port USB typu C z obsługą wideo, audio touch i zasilaniem  
(Tryb alternatywny z DisplayPort 1.2, zasilanie do 65 W)




USB-C



USB-C

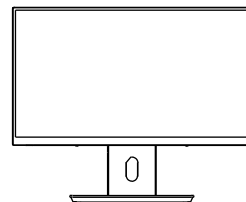


 Upewnij się, że koniec USB typu C komputera obsługuje DP Alt aby wyświetlić poprawnie obraz. Więcej informacji można znaleźć w tabeli w str. 18.

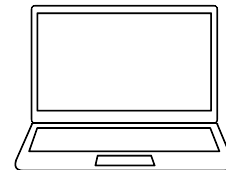
### Podłączanie urządzeń za pomocą HDMI

(1) Podłącz komputer PC lub laptop do Ideao Hub za pomocą HDMI.  
(2) Aby skorzystać z funkcji dotykowej, podłącz USB-B w Ideao Hub do portu USB-A w komputerze PC lub laptopie.

\*HDMI nie jest dołączony do zestawu.



HDMI



HDMI



USB-B



USB-A

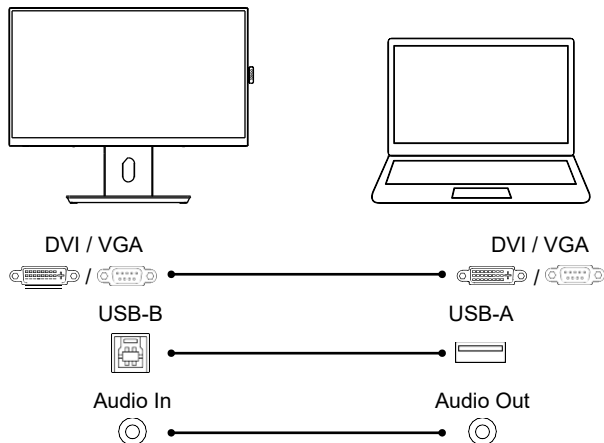




## Podłączanie urządzeń za pomocą DVI lub VGA

- (1) Podłącz komputer PC lub laptop do Ideao Hub za pomocą DVI lub VGA jako źródła wideo.
- (2) Podłącz wejście audio w Ideao Hub do wyjścia audio na komputerze PC lub laptopie.
- (3) Aby skorzystać z funkcji dotykowej, podłącz USB-B w Ideao Hub do portu USB-A w komputerze PC lub laptopie za pomocą USB.

\*DVI, VGA i audio nie są dołączone do zestawu.



	Źródło wideo	Źródło audio	Sygnal USB dla dotyku	Zasilanie
USB -C	O	O	O	O
HDMI	O	O	X USB-B	X
DVI / VGA	O	X Przez audio	X USB-B	X

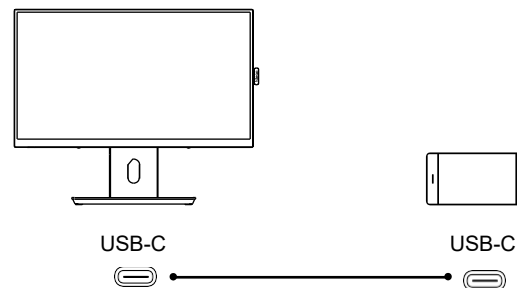
## **Łączenie ze Smartfonem**

### Podłącz smartfon za pomocą USB-C.

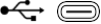
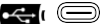
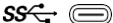

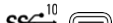




\*USB-C obsługuje zasilanie.

\*Dostępne dla smartfonów z systemem Android obsługujących tryb alternatywny USB Type-C DisplayPort.

\*Dotyk może nie być obsługiwany w zależności od modelu.

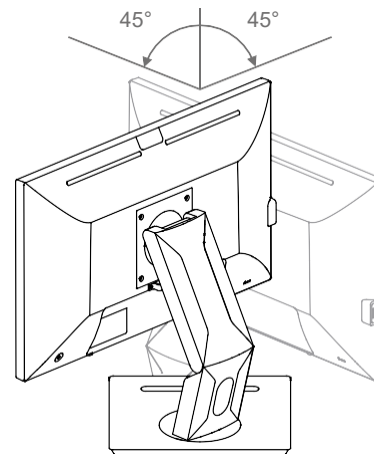


## Tabela specyfikacji USB-C

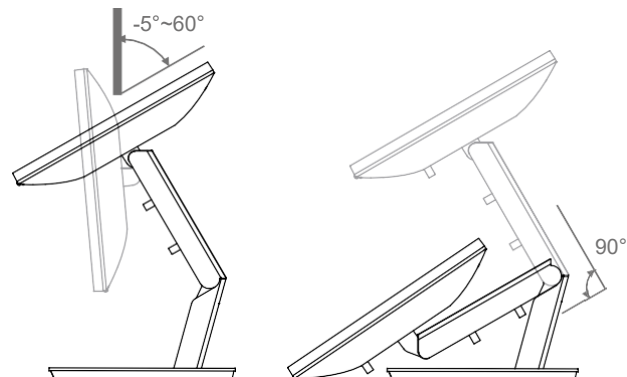
USB-C		Przesył Danych	Obraz	Zasila nie
USB 2.0 480 Mbps	 Normalnie	O	X	X
	 PD Włączone	O	X	O
USB 3.1 Gen 1 5 Gbps	 Normalnie	O	X	X
	 PD Włączone	O	X	O
USB 3.1 Gen 2 10 Gbps	 Normalnie	O	X	X
	 PD Włączone	O	X	O
DisplayPort 5-10 Gbps	 Normalnie	O	O	X
	 PD Włączone	O	O	O
Thunderbolt 20-40 Gbps PD Enabled DisplayPort		O	O	O

## Regulacja podstawy

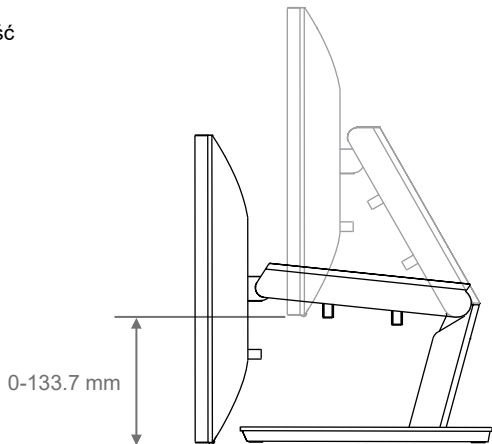
Obrót



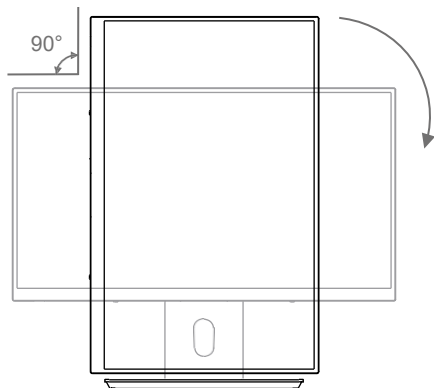
Podnoszenie i przechylenie



Wysokość

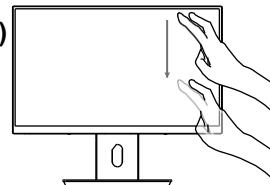


Obrót



## Dostosowywanie obrazu(OSD)

Przesuń w dół od prawej górnej krawędzi ekranu dwoma palcami aby wyświetlić ustawienia OSD.



Źródło sygnału

HDMI  
TYPE-C  
DVI  
VGA (D-SUB)

 Jasność	Standard	Gra	Jasność
	Film	Własne	Kontrast
 Temperatura kolorów	Ciepłe	Natural	Czerwony Zielony Niebieski
	Zimne	Własne	
 Ustawienia	4:3	16:9	Głośność
	HDR	Reset	Wyjście

# Specyfikacja

<b>Wyświetlacz</b>	
Rozmiar ekranu	24"
Rozdzielczość i częstotliwość odświeżania	2560x1440 @ 60Hz, 75Hz (opcjonalne) 1920x1080 @ 60Hz, 75Hz 1680x1050 @ 60Hz 1600x900 @ 60Hz 1440x900 @ 60Hz 1366x768 @ 60Hz 1280x1024 @ 60Hz 1280x720 @ 60Hz 1024x768 @ 60Hz 800x600 @ 60Hz 640x480 @ 60Hz
Obszar wyświetlania	527x296 mm
Współczynnik proporcji	16:9
Jasność	Typ. 350 cd/m <sup>2</sup>
Głębina koloru	8-bit
Współczynnik kontrastu	1000:1
Czas reakcji	Typ. 14ms
Częstotliwość odświeżania	75Hz
Powierzchnia panelu	Optical Bonding, 7H
Typ panelu	E-Lite LCD, AHVA
Żywotność	30,000 Hrs
NTSC	Typ. 88%
Gama kolorów	Wide Color Gamut
<b>Dotyk</b>	
Technologia dotykowa	Projected-Capacitive Touch
Typ dotyku	Pisak z Palm Rejection / Palec
Narzędzia do pisania	Aktywny pisak (Wspiera MPP 2.0, 4096 Punktów nacisku)
Czas reakcji	Dotyk < 35 ms; Opóźnienie panoramowania < 30 ms; Pisak<35 ms

Ilość punktów dotyku	10
HID (Nie wymaga sterownika)	Tak
Czas reakcji na dotyk	8 ms
Dokładność pozycjonowania	±1 mm
Interfejs komunikacyjny	USB-B, USB-C
<b>Głośniki</b>	
Pozycja głośnika	Tył
Maksymalna moc wyjściowa głośnika	2 x 3W
<b>Porty</b>	
Wejścia	USB-C x1 ( PD 65W) HDMI 2.0 x1 DVI x1 VGA (D-SUB) x1 USB-A 2.0 x2 USB-A 3.0 x1 Audio-In (Jack 3.5 mm) x1 DC-In x1
Wyjścia	USB B 3.0 x1 Audio-Out (Jack 3.5 mm) x1
<b>Zasilanie</b>	
Wymagane napięcie	AC 100-240V (50/60 Hz) *Wersja japońska jest tylko dla 100V
Zużycie (typowe)	28 W
Zużycie (maks.)	35 W
Tryb gotowości	0.5 W
<b>Transport/Magazynowanie</b>	
Temperatura przechowywania	-10°C ~ +55°C
Temperatura robocza	0°C ~ +40°C
Wilgotność przechowywania	10% ~ 80%
Wilgotność robocza	20% ~ 80%

Podstawa	Pochylenie (przód/tył) 5° / 60° Obrót w pionie: 90° Obrót: -45° / 45° Wysokość: 0 - 133.7 mm
VESA	100x100 mm
Wymiary	540 x 456 x 266 mm (Z Podstawą) 540 x 322 x 56 mm (Tylko ekran)
Rozmiar paczki	785 x 190 x 422 mm (Z Podstawą) 630 x 140 x 425 mm (Tylko ekran)
Waga netto	8.5 kg (Z Podstawą) 4.0 kg (Tylko ekran)
<b>Inne</b>	
Przyciski	Zasilanie
Blokada Kensington	Tak
Zawartość opakowania	Idea Hub Kabel zasilający Adapter USB-C 3.0 (1M) USB-B do A 3.0 (1.5M) Podstawa